

TAVIRA OUTDOOR COLLECTION TRAVERSING INSTALL INSTRUCTIONS

YOU HAVE RECEIVED A PRE-ASSEMBLED SYSTEM. BY SIMPLY FOLLOWING THESE STEP-BY-STEP INSTRUCTIONS, YOU WILL SOON BE ENJOYING YOUR NEW DRAPERY HARDWARE.

Getting Started:

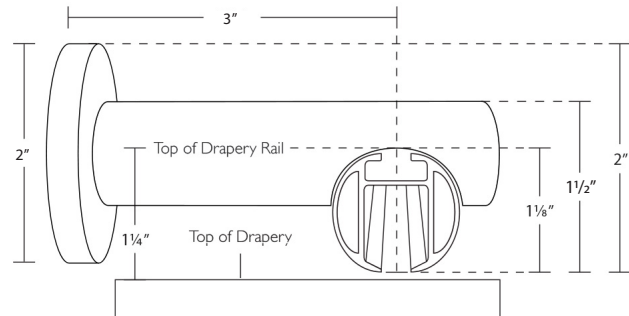
Please read through all instructions carefully before you begin. This instruction is for use with the standard single bracket 53401-XX with a 3" projection.

Unpack all materials making sure all components are included:

- Screws
- Rails built to your specifications
- Mounting bracket and backplate
- Allen keys
- Finials

Tools You Will Need:

- Drill with a 1/8" bit and a Phillips bit
- Phillips screwdriver



Installing Your Wall Mount Drapery Hardware - Single Set:

Please read through all instructions carefully before you begin.

1. Mark

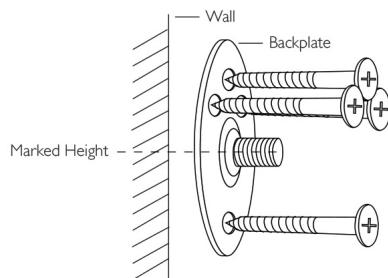
Mark the height you would like the top of the top of your drapery rail to be installed, taking into account any clearance or puddling you desire at the bottom, as well as top of rail to top of drapery difference - 1 1/4".

2. Mount

Measure the width of the track. Mark the placement of the two end brackets at the height determined in step 1, approximately 3"-4" in from the ends of where the track will be installed.

Take the back plate off the bracket and place the center of the back plate at marked height. (Remove the back plate from bracket by rotating plate counter clockwise.)

NOTE: The top of bracket will rise 1" above the center of the rail.



3. Assemble Bracket

Reassemble the bracket onto the back plate. Screw bracket clockwise onto back plate. Turn until tight. Make sure bracket is facing down (loosen bracket set screw to adjust and tighten once complete).

4. Attach Rail to Bracket

Make sure rail holding set is attached to the bracket loosely (you should receive it this way).

Attach the rail to the brackets making sure holding rail set slips into top channel.

Lock the rail holding set into the top channel using included Allen key.

5. Attach Finials

Attach finials to both ends of the rail.

