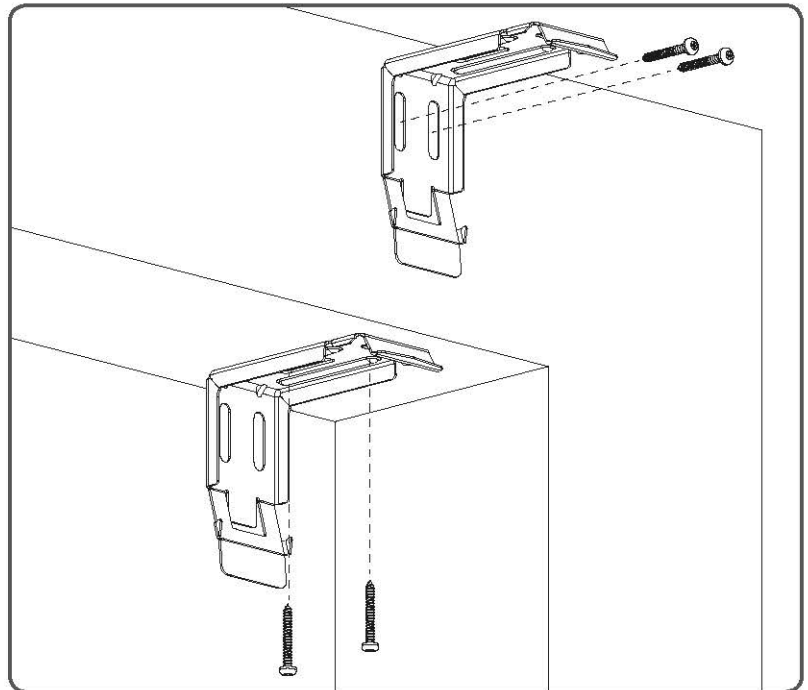
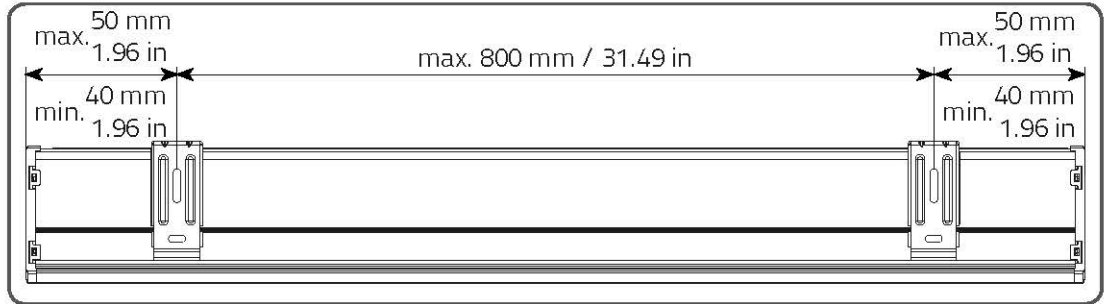
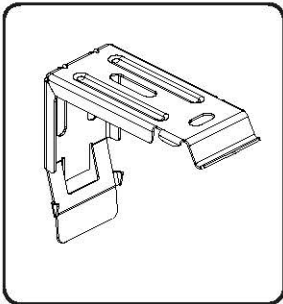
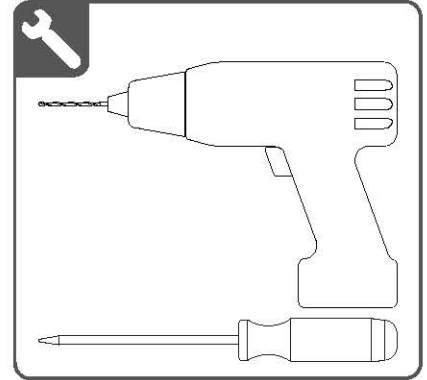
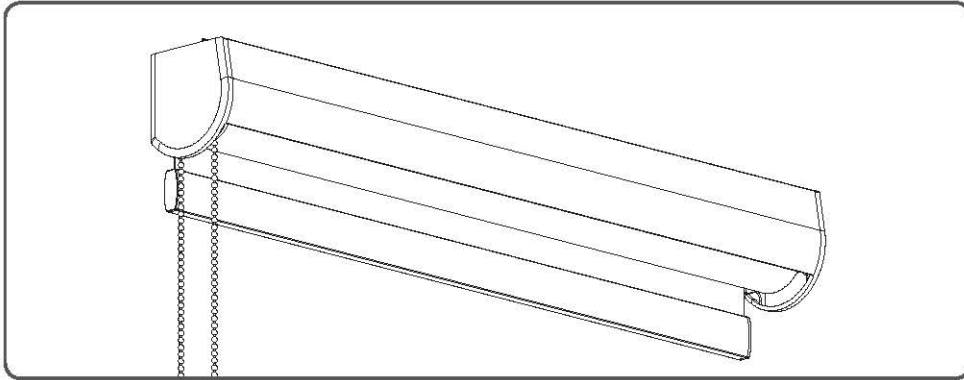


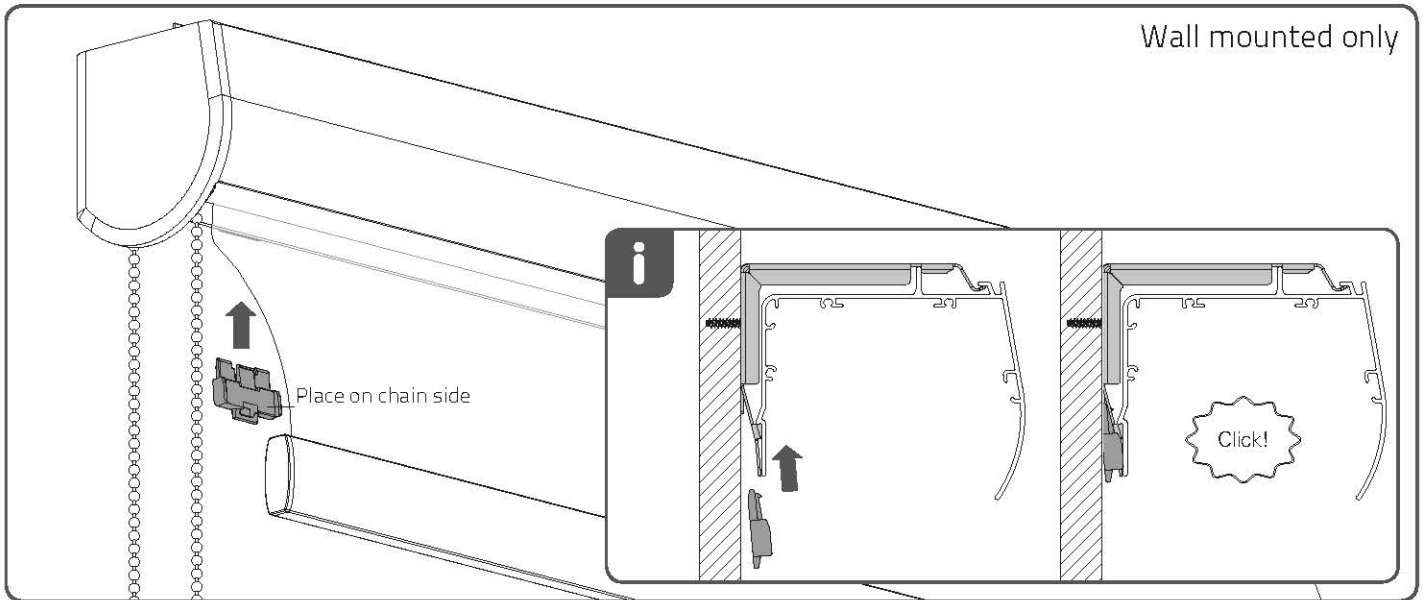
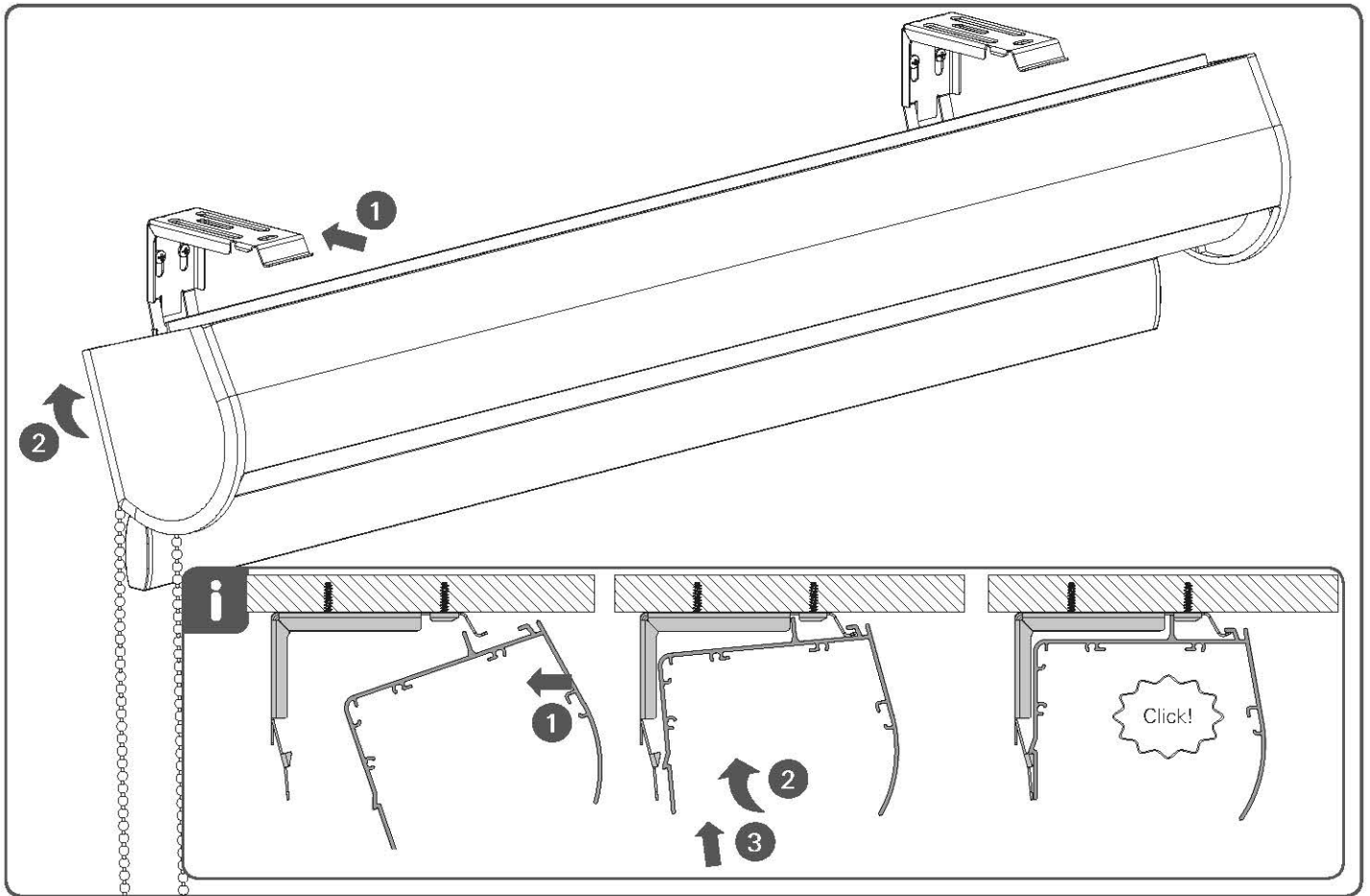
## MERCURY SEMI OPEN MOUNT INSTALL INSTRUCTIONS

BY SIMPLY FOLLOWING THESE STEP-BY-STEP INSTRUCTIONS,  
YOU WILL SOON BE ENJOYING YOUR NEW ROLLER SHADES.



## MERCURY SEMI OPEN MOUNT INSTALL INSTRUCTIONS

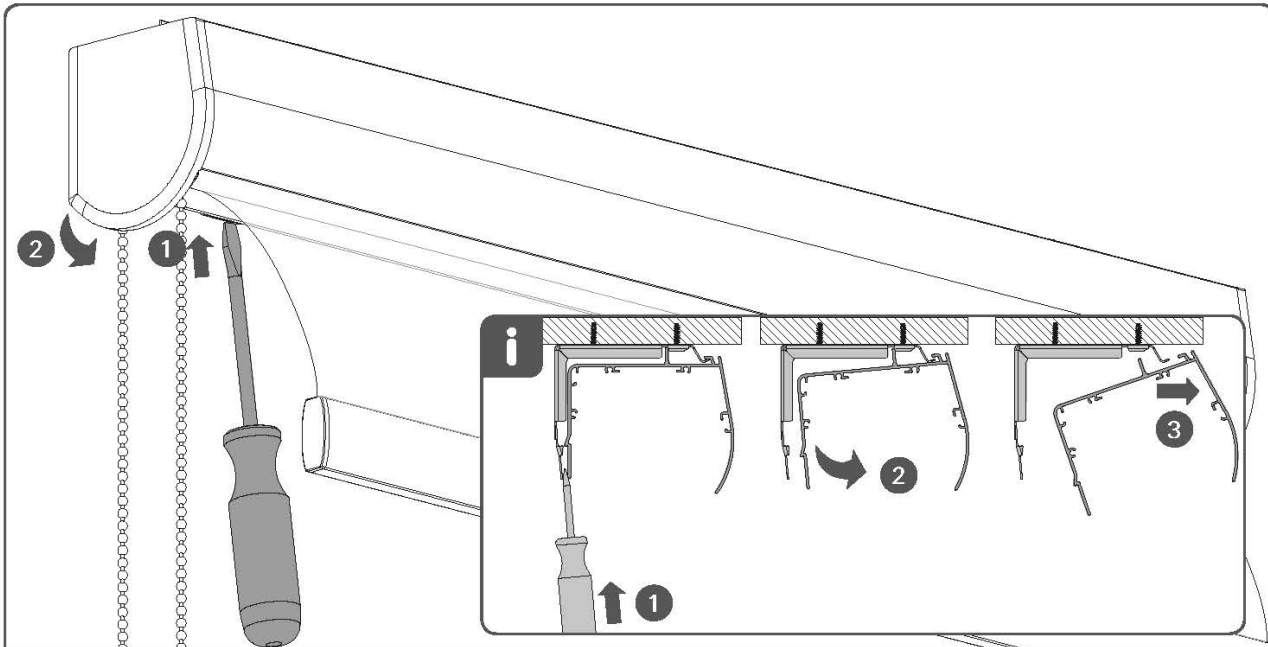
BY SIMPLY FOLLOWING THESE STEP-BY-STEP INSTRUCTIONS,  
YOU WILL SOON BE ENJOYING YOUR NEW ROLLER SHADES.



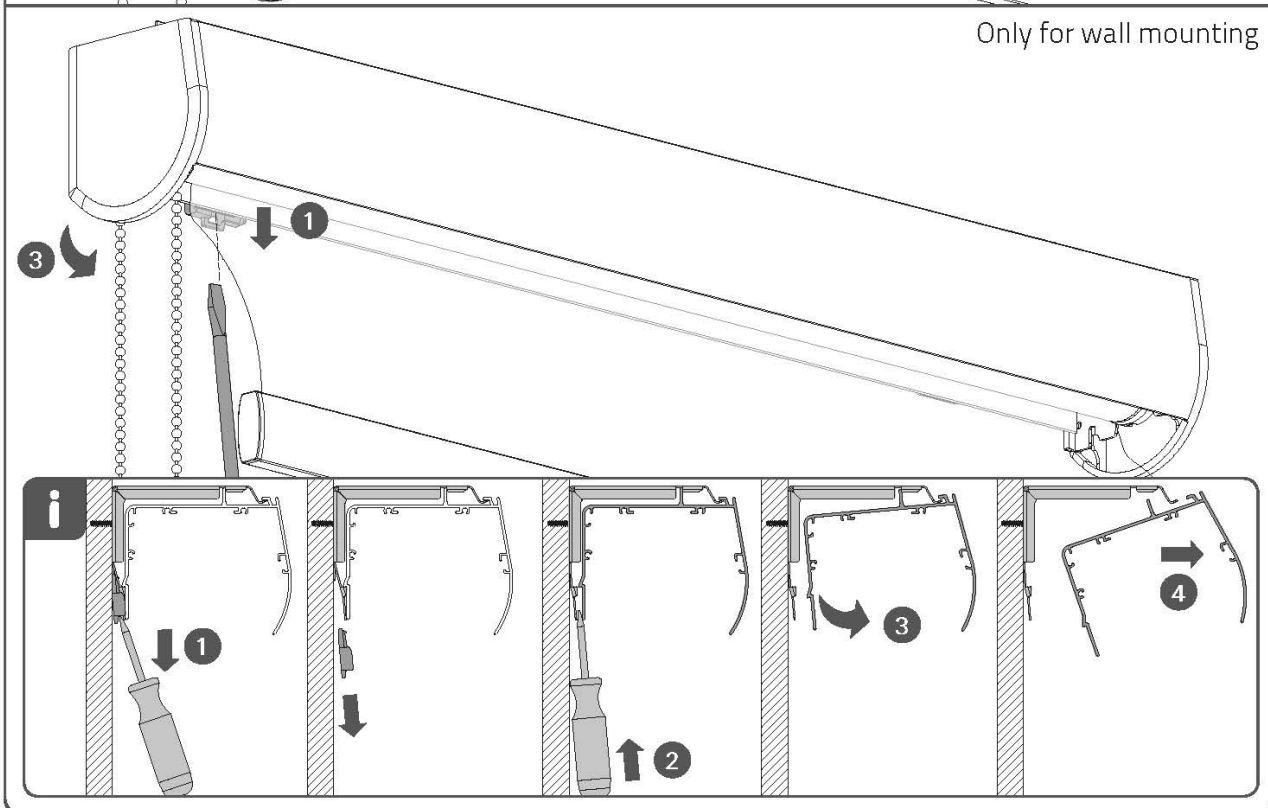
## MERCURY SEMI OPEN MOUNT INSTALL INSTRUCTIONS

BY SIMPLY FOLLOWING THESE STEP-BY-STEP INSTRUCTIONS,  
YOU WILL SOON BE ENJOYING YOUR NEW ROLLER SHADES.

### Removal



Only for wall mounting



## 49501-25 TENSION DEVICE FOR CHILD SAFETY INSTALLATION INSTRUCTIONS

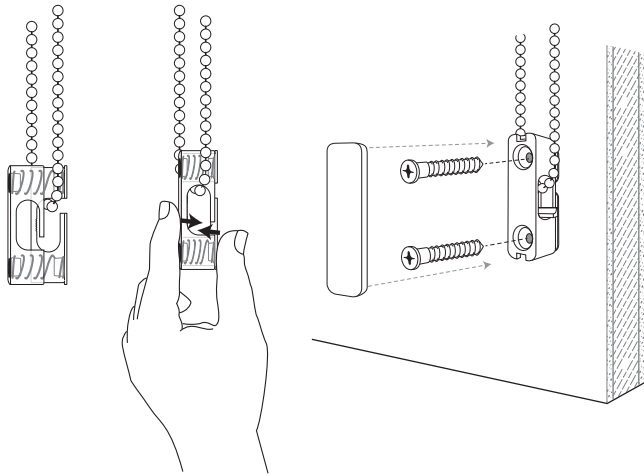
BY SIMPLY FOLLOWING THESE STEP-BY-STEP INSTRUCTIONS, YOU WILL SOON BE ENJOYING YOUR NEW DRAPERY HARDWARE.

### Installing Tension Device: (For Dresden Cord Draw System)

#### Consider Position of Tension Device:

The tension device should be positioned on the window frame or the wall so that the tension device and control cord does not interfere with operation or hanging of drapery.

The tension device should be installed so that cord is taut without stretching or pulling down on it. Stretching the cord will cause excessive wear. Do not twist or cross the control cord.



#### Install Tension Device:

Loop chain into back of device. Pinch device moving chain forward toward the front. Use two screws to attached device to the wall and locking chain in safety position. Use screw cap to cover screws.

**Please Note:** When attaching to wood, included screws can be screwed directly into wood. When attaching to drywall and metal, use anchors that are designed for such substrates. Visit your local hardware store for guidance on appropriate anchors for your substrate.

### The Forest YouTube Channel is 24/7 Technical Support



Watch the Tension Device Installation Video



Go to the Forest YouTube Channel