

SPLICED MOTORIZED ROD ASSEMBLY INSTRUCTIONS

BY SIMPLY FOLLOWING THESE STEP-BY-STEP INSTRUCTIONS, YOU WILL SOON BE ENJOYING YOUR NEW DRAPERY HARDWARE.

Getting Started:

Please read through all instructions carefully before you begin.

Unpack all materials making sure all components are included:

- Rod(s), assembled and folded
- Motor Pulley Housing(s), one per system
- Motor Pulley Wheel(s), one per system
- Motor Pulley Cover(s), with 1 fastener and 4 screws per cover

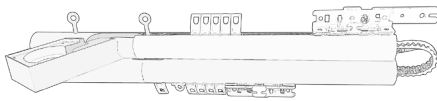
Tools You Will Need:

- Drill with a 1/8" bit and a Phillips bit
- Phillips screwdriver

For Dresden and Deventer MRS Motorized Rod Systems:

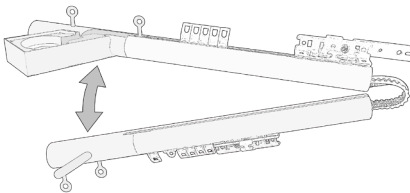
1. Unpack

Carefully unpack your rod. Note that it will be folded in half.



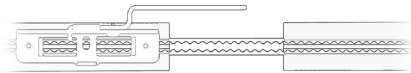
2. Unfold Rod

Fully unfold the rod.



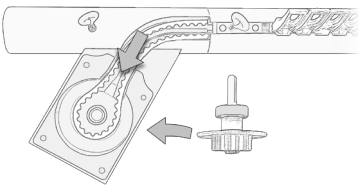
3. Straighten

Ensure the belt is straight.



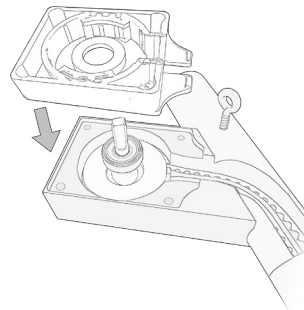
4. Configure Belt

Pull the belt into the motor pulley and insert the wheel into the pulley.



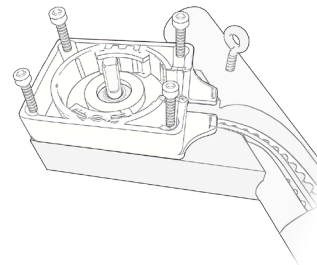
5. Attach Cover

Place the cover on the motor pulley.



6. Insert Screws and Tighten

Use the four included screws to secure the motor pulley cover.



Need more help? The Forest YouTube Channel is 24/7 Technical Support



Watch the Dresden/Deventer MRS spliced rod assembly video