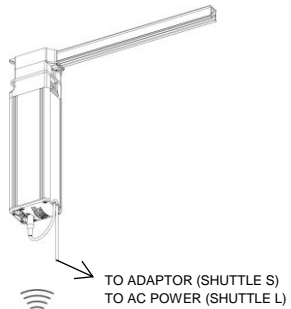


### RF WIRELESS

#### MULTI



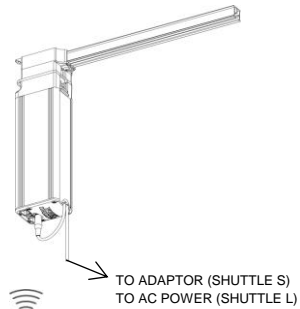
FOREST MULTI REMOTE  
WHITE GLOSS 5201001460  
WHITE MAT 5201001461  
BLACK GLOSS 5201006460  
BLACK MAT 5201006461  
GREY MAT 5201003461

AND/OR

FOREST MULTI WALL SWITCH  
5201001470

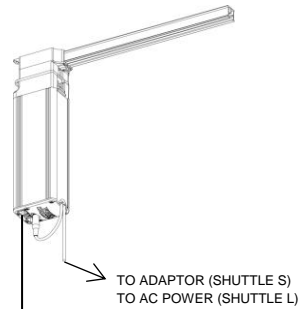
#### Z-WAVE

INTERNAL Z-RECEIVER UNDER DEVELOPMENT  
Januari 2015 ready



FOREST Z-WAVE REMOTE  
EU: 5201001700  
US: 5201001701

#### SOMFY



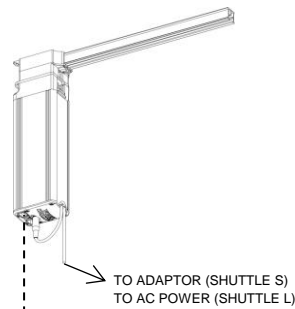
SOMFY REMOTE  
5104011400

AND/OR

SOMFY TIMER SWITCH  
5104011405

### IR WIRELESS

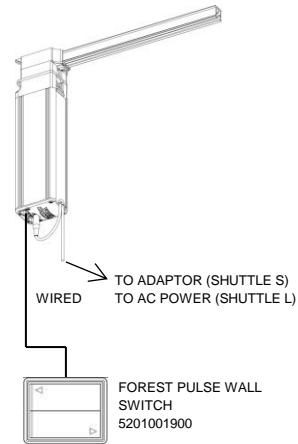
#### INFRA RED



FOREST IR REMOTE  
5 CHANNEL  
5201001250

### WIRED

#### MECHANICAL SWITCH



#### HOME AUTOMATION

