

TAVIRA OUTDOOR POLE SETS INSTALL INSTRUCTIONS

Getting Started:

Please read through all instructions carefully before you begin installation.

Unpack all materials making sure all components are included:

- Pole(s)
- End caps
- Mounting brackets

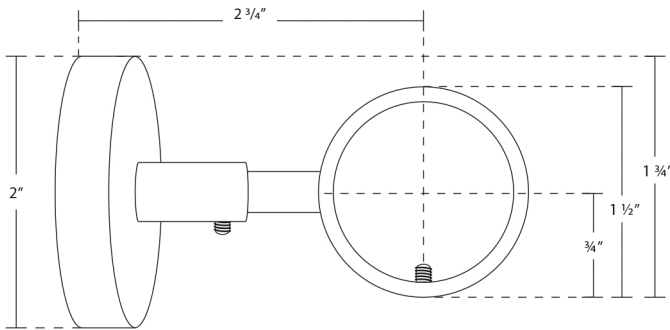
Please note that your brackets must be securely attached to the mounting surface. If your screws do not hit wood studs you should use a different fastener, which can be found at any local hardware store.

Tools You Will Need:

- Drill with a 1/8" bit and a Phillips bit
- Phillips screwdriver
- Metal tape measure

Installing Your Drapery Hardware

Tavira Closed Bracket



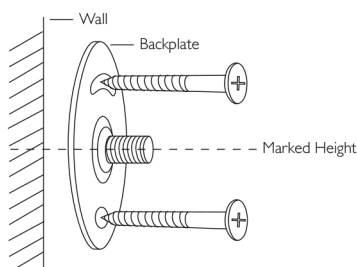
1. Mark

Mark the height you would like the top of drapery pole to be installed. The center of your bracket should be mounted 1 1/2" higher than that mark.

2. Mount

Measure the width of the pole. Mark the placement of the two end brackets at the height determined in step 1, approximately 3–4" in from the ends of where the pole will be installed.

Take the backplate off the bracket and place the center of the backplate at marked height (remove backplate from the bracket by rotating plate counter clockwise).

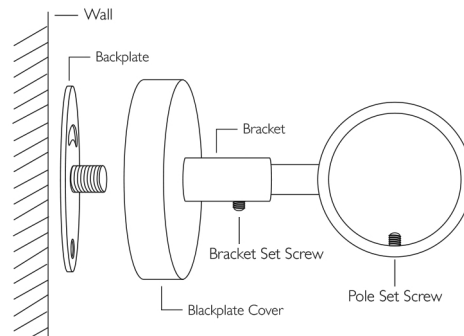


Drill in screws through each hole for a secure mount. Repeat this process for all other brackets evenly spacing them between the two installed brackets.

NOTE: The top of the bracket will rise 1" above the pole.

3. Assemble Bracket

Reassemble the bracket onto the backplate. Screw bracket clockwise onto backplate. Turn until tight. Make sure bracket opening is vertical (loosen small hex to adjust and tighten once complete).



4. Attach Drapery and Poles

Slide drapery onto pole, you may want to leave one grommet on the outside of each of the end brackets. Insert pole through bracket openings. Tighten set screws on brackets to secure pole.

5. Attach End Caps

Attach end caps to both ends of the pole. Tighten set screws on end caps to secure to pole.