

PORTO COLLECTION INSTALL INSTRUCTIONS

Getting Started:

Please read through all instructions carefully before you begin installation.

Unpack all materials making sure all components are included:

- Pole (s)
- Drapery rings
- Finials
- Mounting brackets
- Splice, if needed

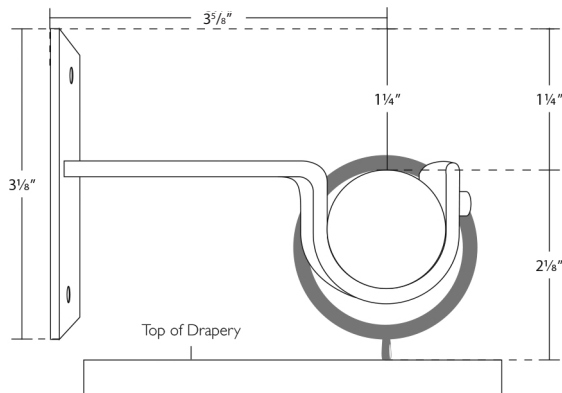
Please note that your brackets must be securely attached to the mounting surface. If your screws do not hit wood studs you'll have to use a different fastener, which can be found at any local hardware store.

Tools You Will Need:

- Drill with a 1/8" bit and a Phillips bit
- Phillips screwdriver
- Metal tape measure

Installing Your Drapery Hardware

YORK Bracket

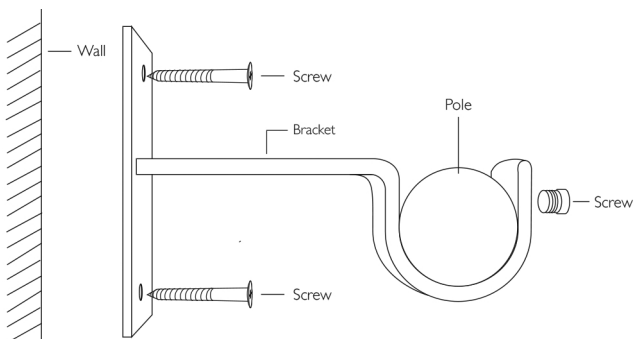


1. Mark

Mark the height you would like the top of your drapery pole to be installed, taking into account any clearance or puddling you desire at the bottom, as well as top of pole to top of drapery difference – 2 1/8".

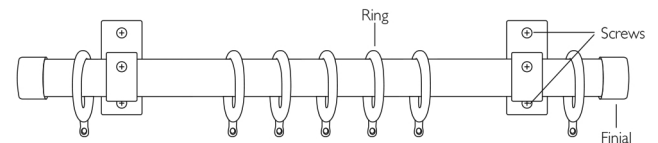
2. Mount

Place the top of the bracket 1 1/4" above marked height. Drill in screws through the two pre drilled holes on the base of the bracket for a secure mount. Repeat this process for all other brackets.



3. Attach Rings and Pole

Slide rings onto pole. You may want to leave one ring on the outside of each of the end brackets. Set the pole on brackets. Tighten screw on the front of the bracket to fasten pole in place.



4. Attach Finials

Attach finial to both ends of the pole.

5. Optional Splice

All pole sets over 96" will come as 2 poles. A center bracket must be used on the splice where the poles meet.

- Insert splice into open end of each pole.
- Evenly distribute the depth of the splice into each pole.
- Place middle bracket over splice location.

